



iSIMULATOR IMPEDANCE SIMULATOR

MODEL Z1000

- One Instrument Full LCR Meter Calibration
- Characterization Over Full Range
- Eliminates External Standard Requirements
- Utilizing State-of-the-Art 24-bit ADC and DAC Converters
- Simulates Impedances From 1 Ω to 10 M Ω
- Large Frequency Range 100 Hz to 20 kHz
- NMI METAS Design



MODEL Z1000 iSIMULATOR IMPEDANCE SIMULATOR

The Measurements International model Z1000 prototype and initial design was done by METAS in Switzerland. It was designed to address and fill the need and requirement for a better way to calibrate LCR meters. Current method of calibration of LCR meters requires highly accurate impedance standards (inductors, capacitors and resistors) that have to have traceability maintained, in which the procedure for calibration is time-consuming and requires a lot of manipulation of the standards making the measurement procedure complicated. Another large drawback of the previous method was that only a small fraction of the measurement capability of the LCR meter is tested because the reference standards usually have a decade value and phase angles close to the -90 degrees (capacitors), 0 degree (resistor) or 90 degrees (inductors).

With the release of the commercial Z1000 iSimulator, the process for calibration of LCR meters has been taken to a new level. The Z1000 covers the full calibration of LCR meters over simulated impedances from 100 Hz to 20 kHz while eliminating the need for external standards and providing a much simpler, easier to use method of LCR meter calibration.

If you are familiar with the current method used to calibrate LCR meters (external inductors, resistors, capacitors) then you are aware of the very time consuming and multiple manual manipulation components of the process. The Z1000 was designed with this in mind. It was designed with a very user-friendly operational software that limits customer manual need for changing of connections and offers a simple step-by-step operation that provides constant automatic verification of the setup, and automatic switching and measurement procedures.

The Z1000 was developed by METAS and commercialized by Measurements International to offer customers a simpler, easier to use instrument for the calibration of LCR meters.





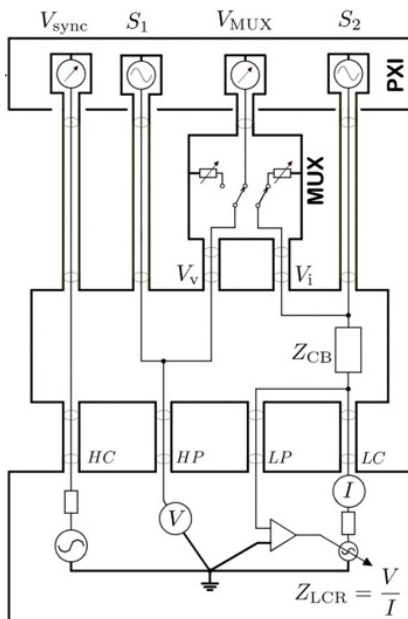
MODEL Z1000 iSIMULATOR IMPEDANCE SIMULATOR

Z1000 iSimulator Method

The Z1000 offers a new more advanced approach. In the Z1000, the current and the voltage measured by the LCR meter to calculate the impedance are independently generated by two external voltage sources.

Adjusting the amplitudes and the relative phase of the voltage sources, the synthesized impedance can cover the entire complex plane. This concept was first proposed in 1994. More recently, a new design of the Z1000 – based on recently available, high-grade electronics components has been designed.

The Z1000 covers calibrations in the frequency range from 100 Hz to 20 kHz and the magnitude of the synthesized impedances ranges from 1 Ω to 10 MΩ with an arbitrary phase angle.



$S_1 \Rightarrow V_{HP} = V_V$
 $S_2 \Rightarrow i_{LC} = \frac{V_i}{Z_{CB}}$
 $Z_{REF} = \frac{V_{HP}}{i_{LC}} = \frac{V_V}{V_i} \cdot Z_{CB}$

S_1 supplies the voltage to HP, the second source S_2 supplies the current to the LC port. Then the LCR meter calculates the value of the impedance. Because the two sources are independent it is possible to arbitrarily choose the relative phase between the two, therefore the resulting impedance can be simulated to cover the entire complex plane.

A single MUX is used to accurately measure the actual voltage V_v supplied to HP input, and the voltage drop V_i generated by the current flow through Z_{CB} .

Accuracy of the Z1000 is based on the accuracy of the LCR meter under test. This is because the uncertainty of the resistor is around 10^{-8} and the uncertainty of the clock is 10^{-12} . Most LCR meters have a specification of about 500 ppm. When calculating the overall uncertainty the resistor and clock are negligible!

Uncertainty Calculation

$$\begin{aligned}
 u(UUT) &= \sqrt{u(Probe)^2 + u(DFT)^2 + u(ADC)^2 + u(MUX)^2 + u(zero)^2} \\
 &= \sqrt{u(R_{ac})^2 + u(R_{dc})^2 + u(A)^2 + u(\varphi)^2 + u(q)^2 + u(MUX)^2 + u(zero)^2}
 \end{aligned}$$





MODEL Z1000 iSIMULATOR IMPEDANCE SIMULATOR

Specifications: Rev 1

Impedance Range	1 Ω to 10 MΩ
Frequency Range	100 Hz to 20 kHz
Probe (resistor)	DC Long-term Stability < 2 ppm/year
10 MHz Frequency	1. Short-term Stability < 1×10^{-11} (10 s) 2. Phase Noise < -130 dBc/Hz
Warm-Up Time	< 5 Minutes to Full-Rated Accuracy
Operating Environment	18 to 34 °C, 10 to 80 % RH
Operating Power	100, 120, 220, 240 V – 50/60 Hz
Ambient Humidity Range	20 % to 50 % RH
Warranty Standard	1 Year Parts & Labour

Dimensions (D × W × H):
 508 × 520 × 330 (mm)

Weight:
 35 kg

Shipping Weight:
 40 kg

Main Power:
 100, 120, 220, 240 V – 50/60 Hz

Corporate Headquarters
Measurements International
 PO Box 2359, 118 Commerce Drive
 Prescott, Ontario, Canada K0E 1T0
 Phone: 613-925-5934
 Fax: 613-925-1195
 Email: sales@mintl.com
 Toll Free: 1-800-324-4988

Worldwide Offices
MI-USA
 Phone: 407-706-0328
 Email: sales@mintl.com

MI-Europe
 Phone: +(420) 731-440-663
 Email: sales@mintl.com

MI-India
 Phone: +(91) 98 10 134 932
 Email: sales@MILLP.co.in

MI-China
 Phone: +(86) 10-64459890
 Email: sales@mintl.com

MI-Japan
 Phone: +(81) 72 39 64 660
 Email: kaz@mijpn.com



www.mintl.com