

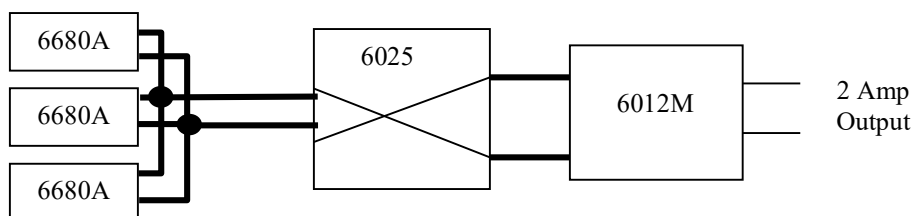
Model 6012M Automated 2000 Amp Range Extender

*2000 Amp DCC Extender
1,000:1 Ratio Capability
< 1-ppm uncertainty One
of a Kind*

General Description:

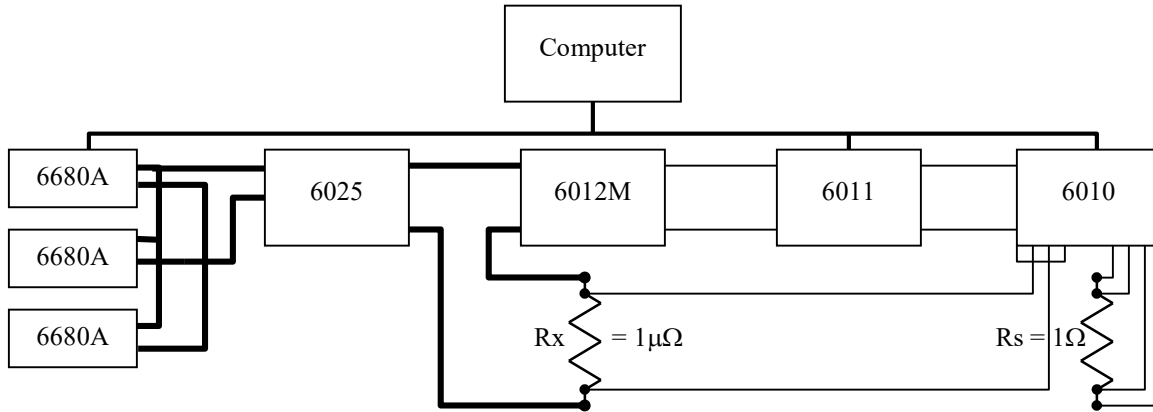
The Model 6012M precision DC range extender is based on direct current comparator technology. The 6012M provides precision current division ratio of 1000:1 to a maximum of 2000A on its primary with 2 amperes out. Used in conjunction with the Model 6025 reversing switch, the 6012M can reverse currents up to 2000A.

The 6012M may be used as a stand-alone device to divide high DC Currents down to workable levels.



The 6012M is also used in the Measurements International's Shunt Measurement System with the 6010/6011 and 6025 high current reversing switch for ratio measurements of 1,000,000:1 [$1\mu\Omega$ shunt against a 1Ω standard (Model 9210)] automatically for direct comparisons up to 2000 amperes. This completely Automated "turn key" Current Shunt Measurement System, utilizing a 6010 and 6011 is the only system of its kind commercially available worldwide.

Model 6012M



6012M used as range extender with the 6010

Specifications:

Maximum Ratio	1000:1
Maximum Input Current	2500 Amps
Maximum Output Current	2 Amps
Linearity	< 0.01ppm
Accuracy	< 1 ppm
Current Resolution	< .05 ppm of Full Scale Current
Output Compliance	10V DC
Operating Environment	18 to 34°C, 10 to 80% RH
Warranty	1 Year Parts & Labor

Dimensions:

270 x 450 x 380 mm

Weight:

35 kg

Shipping Weight:

40 kg

Accessories:

6025 Reversing Switch

Operating Power:

100, 120, 220, 240V - 50/60 Hz

Distributed By:

How to Order:

Model 6012M
Automated 2000 Amp Range Extender

Data Subject to Change

Printed in Canada



Measurements International

118 Commerce Dr., PO Box 2359, Prescott, Canada K0E 1T0
Ph. 613.925.5934 • Fx. 613.925.1195 • North America: 1.800.324.4988