



## 1340A HIGH PRECISION VOLTAGE DIVIDER

Simplify Your Procedures, Simplify Your Work.



### Featuring

- ▶ Stability
- ▶ Cost-effectiveness
- ▶ Performance-based Results
- ▶ No Self-Alignment Required

### Overview

Never before has DC voltage calibration and/or verification of DVMs and calibrators been so easy or reliable. Measurements International's recently launched 1340A is the metrology industry's leading choice thanks to its user friendly design, backed with the best features for optimal performance.

Model 1340A is another fine example of MI's history and world-leading experience in resistance. We invite metrologists and calibration technicians in national, military and third-party calibration laboratories to compare the performance of the 1340A against any products on the market today.

Feature	Benefit
10:1, 100:1 and 1000:1 reference divider outputs to 1100 V. Accuracy divides input voltage by 10, 100, 1000 or 10000. Maximum input voltage is 1100 V.	Extreme precision to compare direct voltage levels of various sources to a 10 V voltage reference standard like a 1330A, 732B or 732C.
Industry leading specifications requires no Self-Alignment or Calibration prior to use.	Customers no longer need to self-align or calibrate prior to each use. Saves time, money and frustration!
Utilizes a special design network of high precision resistors mounted in a temperature-controlled chamber	Shields divider resistors from outside noise and provides temperature stability to improve performance.
Front panel direct connection to calibrator; divider output connection to DVM for testing; both done with supplied cables.	Ease of use, saves time and money.
Internally mounted temperature sensor PT100	Users can connect to front panel and monitor internal oven.
New special hand-selected resistors and configuration	Lengthy, self-alignment no longer required to create divider network.
Calibration of Divider performed directly against a 1330A, 732B or 732C Reference	Industry-leading advancement in the DC Voltage Divider commercial products which delivers exceptional performance.



## 1340A HIGH PRECISION VOLTAGE DIVIDER

An intuitive and easy to use instrument

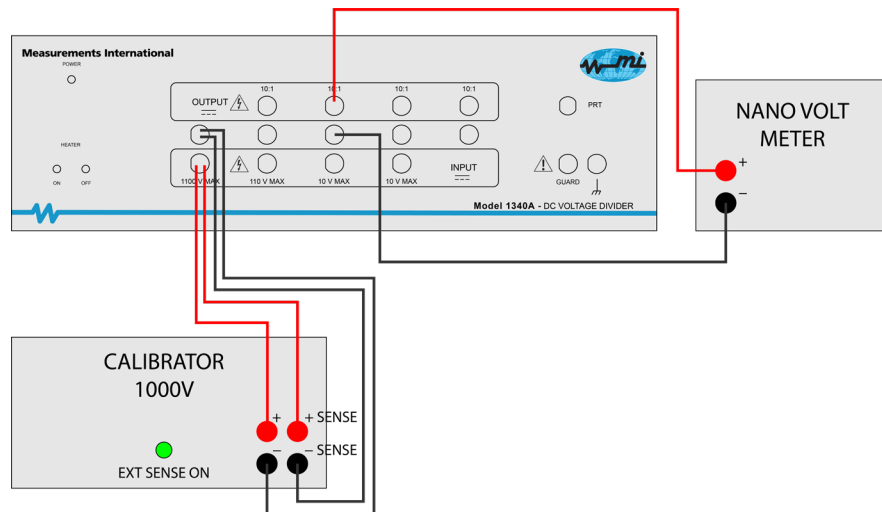


Figure 1. Example: 1000 V in divided to 10 V out to be measured

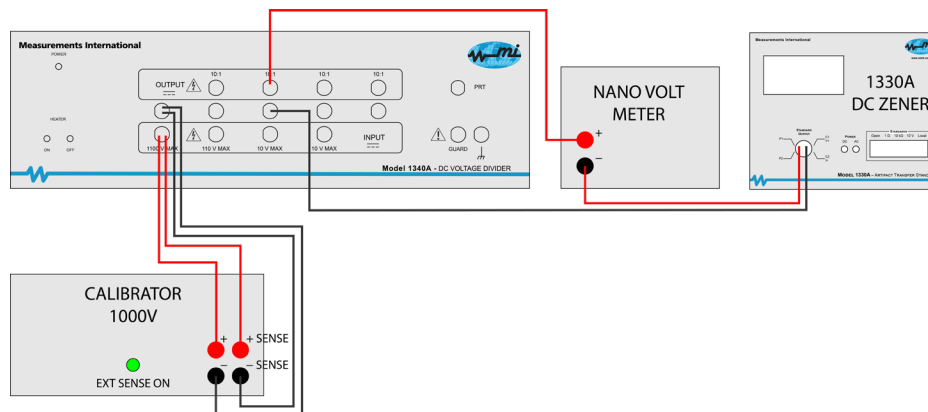


Figure 2. Example: The above diagram illustrates using a 1330A, 732B or 732C Reference in the connection sequence. A DVM can be used as a NULL detector to determine the offset of the 57XX calibrator on the 10:1 and 100:1 ratio.

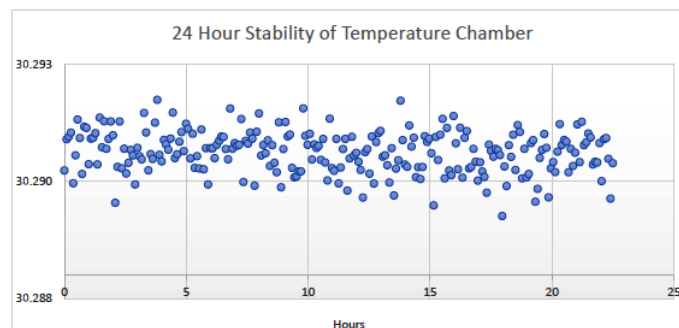


Figure 3. 24 Hour Stability of Temperature Chamber



## 1340A HIGH PRECISION VOLTAGE DIVIDER

Specifications: Rev 5

Ratio Range	Stability (ppm)				Input Voltage (V)
	7 Day	30 Day	90 Day	1 Year	
Stage 1 10:1	0.04	0.2	0.5	2.0	10 V
Stage 2 10:1	0.04	0.2	0.5	2.0	10 V
Stage 3 10:1	0.04	0.2	0.5	2.0	110 V
Stage 4 10:1	0.04	0.2	0.5	2.0	1100 V
100:1	0.1	0.3	1.0	3.0	
1000:1	0.1	0.3	1.0	3.0	
10000:1	0.1	0.4	1.0	4.0	

Internal Temperature Stability	± 0.1 °C over a 1 Year Period
Ambient Temperature Range	23 °C ± 5 °C
Initial Warm-up Time	24 Hours
Ambient Humidity Range	20 % to 90 % Non-condensing
Storage	-50 °C to +50 °C
Alignment	Not Required
Isolation to Earth	> 10 <sup>12</sup> Ω
Direct Cable to 57XX	Provided
PT 100 Cable	Provided
Warranty	Standard 2 Year Parts & Labour

\* These specifications are based on the drift of the unit over time.

\* The specifications listed above must be used in conjunction with the absolute calibration of the ratio and its uncertainty budget.

**Dimensions (L × W × H):**  
436 x 449 x 133 (mm)

**Weight:**  
9 kg

**Shipping Weight:**  
13 kg

**Mains Power:**  
85 to 264 V<sub>ac</sub>, 47 to 440 Hz

**Corporate Headquarters**  
Measurements International  
PO Box 2359, 118 Commerce Drive  
Prescott, Ontario, Canada K0E 1T0  
Phone: 613-925-5934  
Fax: 613-925-1195  
Email: sales@mintl.com  
Toll Free: 1-800-324-4988

