



1340A HIGH PRECISION VOLTAGE DIVIDER

Simplify Your Procedures, Simplify Your Work.



Featuring

- ▶ Stability
- ▶ Cost-effectiveness
- ▶ Performance-based Results
- ▶ No Self-Alignment Required

Overview

Never before has DC voltage calibration and/or verification of DVMs and calibrators been so easy or reliable. Measurements International's recently launched 1340A is the metrology industry's leading choice thanks to its user friendly design, backed with the best features for optimal performance.

Model 1340A is another fine example of MI's history and world-leading experience in resistance. We invite metrologists and calibration technicians in national, military and third-party calibration laboratories to compare the performance of the 1340A against any products on the market today.

Feature	Benefit
10:1, 100:1 and 1000:1 reference divider outputs to 1100 V. Accuracy divides input voltage by 10, 100, 1000 or 10000. Maximum input voltage is 1100 V.	Extreme precision to compare direct voltage levels of various sources to a 10 V voltage reference standard like a 1330A, 732B or 732C.
Industry leading specifications requires no Self-Alignment or Calibration prior to use.	Customers no longer need to self-align or calibrate prior to each use. Saves time, money and frustration!
Utilizes a special design network of high precision resistors mounted in a temperature-controlled chamber	Shields divider resistors from outside noise and provides temperature stability to improve performance.
Front panel direct connection to calibrator; divider output connection to DVM for testing; both done with supplied cables.	Ease of use, saves time and money.
Internally mounted temperature sensor PT100	Users can connect to front panel and monitor internal oven.
New special hand-selected resistors and configuration	Lengthy, self-alignment no longer required to create divider network.
Calibration of Divider performed directly against a 1330A, 732B or 732C Reference	Industry-leading advancement in the DC Voltage Divider commercial products which delivers exceptional performance.



1340A HIGH PRECISION VOLTAGE DIVIDER

An intuitive and easy to use instrument

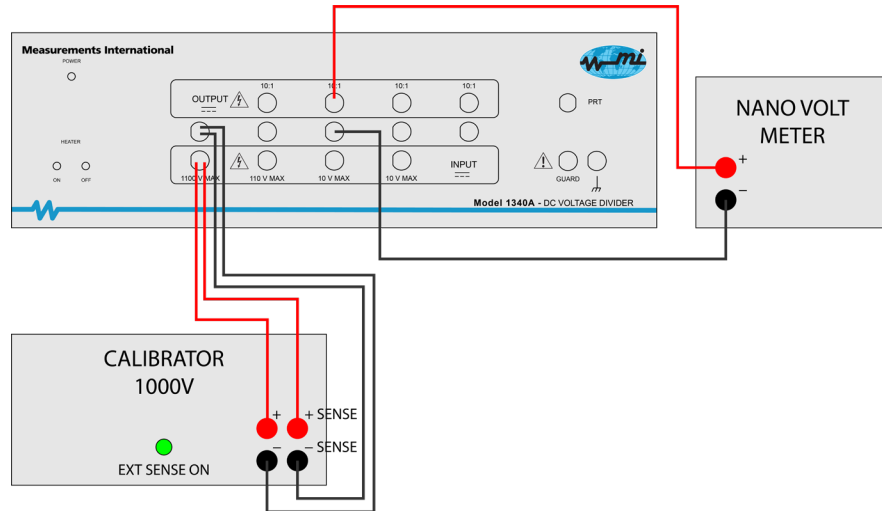


Figure 1. Example: 1000 V in divided to 10 V out to be measured

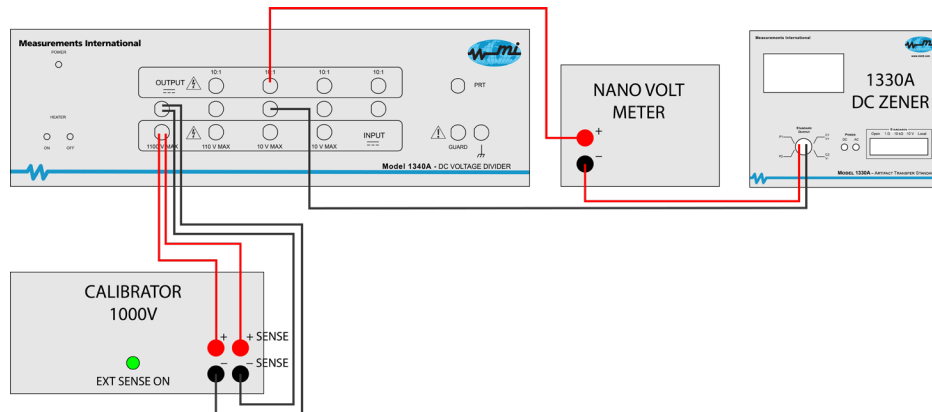


Figure 2. Example: The above diagram illustrates using a 1330A, 732B or 732C Reference in the connection sequence. A DVM can be used as a NULL detector to determine the offset of the 57XX calibrator on the 10:1 and 100:1 ratio.

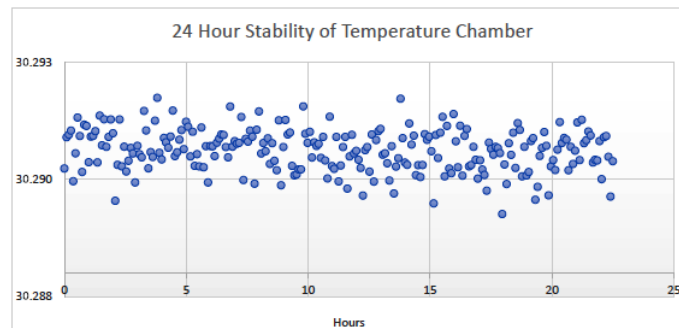


Figure 3. 24 Hour Stability of Temperature Chamber



Measurements International

Metrology is Our Science, Accuracy is Our Business™

1340A HIGH PRECISION VOLTAGE DIVIDER

Specifications: Rev 4

Ratio Range		Stability / 30 Days	Maximum Input Voltage
Stage 1	10:1	0.3	10 V
Stage 2	10:1	0.3	10 V
Stage 3	10:1	0.3	110 V
Stage 4	10:1	0.3	1100 V
Uncertainty			
100:1		$\sqrt{(R_1^2 + R_2^2)}$	
1000:1		$\sqrt{(R_1^2 + R_2^2 + R_3^2)}$	
10000:1		$\sqrt{(R_1^2 + R_2^2 + R_3^2 + R_4^2)}$	
Internal Temperature Stability			± 0.1 °C Over a 1 Year Period
Ambient Temperature Range			23°C ± 5°C
Initial Warm-up Time			24 Hours
Ambient Humidity Range			20 to 90 % Non-condensing
Storage			-50°C to +50°C
Self-Alignment			Not Required
Isolation to Earth			> 10 ¹² Ω
Direct Cable to 57XX			Provided
PT 100 Cable			Provided
Warranty			Standard 2 Year Parts & Labour

Dimensions (L × W × H):
436 x 449 x 133 (mm)

Weight:
9 kg

Shipping Weight:
13 kg

Mains Power:
85 to 264 V_{ac}, 47 to 440 Hz

Corporate Headquarters
Measurements International
PO Box 2359, 118 Commerce Drive
Prescott, Ontario, Canada K0E 1T0
Phone: 613-925-5934
Fax: 613-925-1195
Email: sales@mintl.com
Toll Free: 1-800-324-4988

Worldwide Offices
MI-USA
Phone: 407-706-0328
Email: sales@mintl.com

MI-China
Phone: +(86) 10-64459890
Email: sales@mintl.com

MI-Europe
Phone: +(420) 731-440-663
Email: sales@mintl.com

MI-Japan
Phone: +(81) 72 39 64 660
Email: kaz@mijpn.com

MI-India
Phone: +(91) 98 10 134 932
Email: sales@MILLP.co.in

